

2011 LEXUS

RX

ایراد خودرو فارما

تلفن شماره روزی: ۰۲۱-۸۸۴۴۰۸۵

FarmaSO9.com



REINVENTING THE VEHICLE THAT
INVENTED IT ALL.



Optional equipment shown.

AMENITIES

INNOVATION

PERFORMANCE

HYBRID

SAFETY

SPECS



THE 2011 RX.

With a driver-inspired design, more intuitive technology and an innovative approach to performance, the RX not only created the category, it's redefined it ever since.

امداد خودرو فارما

۰۲۱-۸۸۸۸۸۸۸۸

FarmaSOS.com

AMENITIES

INNOVATION

PERFORMANCE

HYBRID

SAFETY

SPECS

AMENITIES
DESIGN
SEATING
ACCOMMODATIONS

AMENITIES
INNOVATION
PERFORMANCE
HYBRID
SAFETY
SPECS

REINVENTING
DESIGN.

امداد خودرو فارما

تلفن شبانه روزی: ۰۲۱-۸۸۸۶۲۰۸۵

FarmasOS.com

From the onset, the RX was designed to make driving more effortless and enjoyable. Which is why, among its many courteous amenities, you'll find a spacious cargo area,¹ technology that puts you in total control of your interior surroundings and available heated and ventilated front seating.

Optional equipment shown.
See disclaimers on page 76.

TECHNOLOGY FOCUSED ON
KEEPING YOU
FOCUSED.

AMENITIES

INNOVATION

PERFORMANCE

HYBRID

SAFETY

SPECS

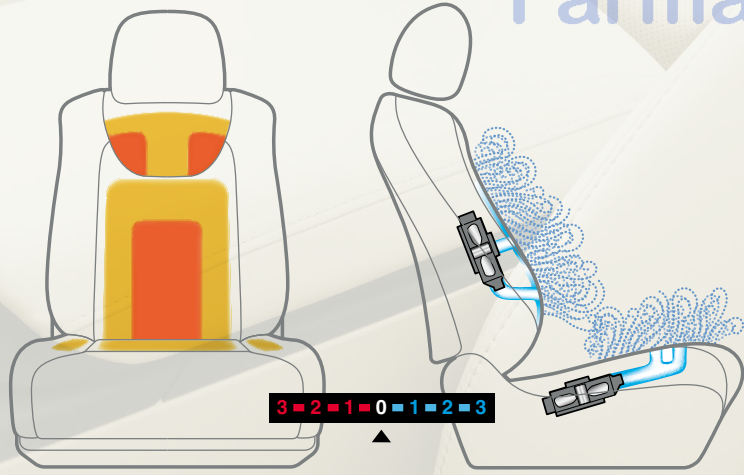
Optional equipment shown.
See disclaimers on page 76.

A UNIQUE APPROACH
TO SEATING: YOURS.

امداد خودرو فارما

تلفن شبانه روزی: ۰۲۱-۸۸۸۶۲۰۸۸

FarmaSOS.com



Because every driver is different, the finishing touches to every interior come courtesy of the person who will be sitting inside of it. Available adjustments like seating temperature—easily addressed by internal heating and ventilation—and seat cushions that can be extended for additional leg support. Both are simple ways to make the available semi-aniline leather-trimmed seating more comfortable than it already is.

Optional equipment shown.

AMENITIES

INNOVATION

PERFORMANCE

HYBRID

SAFETY

SPECS



AMENITIES

INNOVATION

PERFORMANCE

HYBRID

SAFETY

SPECS

امداد خودرو فارما

تلفن شبانه روزی: ۰۲۱-۸۸۸۶۲۰۸۵

FarmaSOS.com

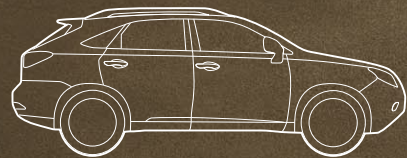
Optional equipment shown.

PERFECTLY SUITED
FOR EVERY NEED
AND CINEMATIC
PREFERENCE.



Talk about accommodating: The cargo area¹ offers enough floor space to lay four large suitcases flat, and an available dual-screen Rear-Seat Entertainment System⁴ enables two separate video sources to be watched simultaneously. This system includes seven-inch LCD monitors conveniently located behind the front headrests, wireless headphones⁵ and a single remote to control both screens.

Optional equipment shown.
See disclaimers on page 76.



A unique take on the conventional double-wishbone design means you'll have an abundance of usable room in the cargo area.¹ Need additional space? The rear seats fold effortlessly with remote levers on either side of the rear-door opening.

تلفن شماره روزی: ۰۲۱-۸۸۸۲۰۸۵

FarmaSOS.com

INNOVATION
VISION
CONNECTIVITY
AUDIO

REINVENTING THE DRIVER'S SEAT.

The RX is so engineered around the driver's needs, it allows you to operate many of its features without ever removing your hands from the steering wheel. A multifunction toggle button, for instance, can be used to personalize up to 20 different functions—from interior illumination settings to door-locking preferences. And, with *Bluetooth*® technology,² you can control your compatible cell phone and portable audio player wirelessly through the RX.

Optional equipment shown.
See disclaimers on page 76.

تلفن شبانه روزی: ۰۲۱-۸۸۸۶۲۰۸۵
FarmaSOS.com

For added visibility when the RX is placed in reverse, an available backup camera⁷ displays a wide-angle color view on the available Navigation System³ screen or in the rearview mirror. And, to help take the guesswork out of parking and assist you when negotiating narrow passages, an available Wide-view Side Monitor system⁸ built into the passenger-side mirror displays an overhead view to the right of the RX at very slow speeds or when in reverse.

BORN OUT OF A SIMPLE PREMISE:
THE MORE YOU SEE, THE BETTER.



Optional equipment shown.
See disclaimers on page 76.

AMENITIES

INNOVATION

PERFORMANCE

HYBRID

SAFETY

SPECS

ALLOWS YOU TO DO WHAT MOST NAVIGATION SYSTEMS DON'T: DRIVE.

Unlike many navigation systems that require you to look elsewhere in order to use them, the available Navigation System³ on the RX was designed to help you focus on the road ahead. An available Heads-up Display projects simple turn-by-turn directions, speed and audio information on the windshield in front of you. And, with available XM services,^{3,9} you can receive real-time traffic updates along your route and continually updated weather conditions.

0.6 Mile 53 MPH

امداد خودرو فارما

۰۸۵-۱۶۲-۸۱۱۲۱

FarmaSOS.com



Optional equipment shown. See disclaimers on page 76.

AMENITIES

INNOVATION

PERFORMANCE

HYBRID

SAFETY

SPECS

LEARN MORE



LEXUS ENFORM®

DESIGNED TO HELP SIMPLIFY YOUR LIFE.

With the available Lexus Enform^{10,11} system, you can speak to a live service agent, 24 hours a day, seven days a week. You don't have to memorize any numbers, navigate through seemingly endless screens—or even have your cell phone with you.

Need an address? Simply call Destination Assist via the RX's available Navigation System³ for live assistance. Once you've decided on a location, your agent can send the turn-by-turn directions straight to your vehicle's Navigation System.³ Planning a trip? You also have the option of preselecting up to 200 destinations online and sending them to your vehicle with Lexus' exclusive service, eDestination.

SAFETY CONNECT™

DESIGNED TO HELP SAFEGUARD YOUR LIFE.

With Safety Connect^{10,12} you can request emergency help, whether that means assisting the police with locating your stolen vehicle or requesting Enhanced Roadside Assistance¹³ for a flat tire. The Safety Connect^{10,12} service also features Automatic Collision Notification (SOS), which automatically sends a call to help the moment the system senses the vehicle has been in a severe rear-end collision or the airbags¹⁴ have been deployed.



AMENITIES

INNOVATION

PERFORMANCE

HYBRID

SAFETY

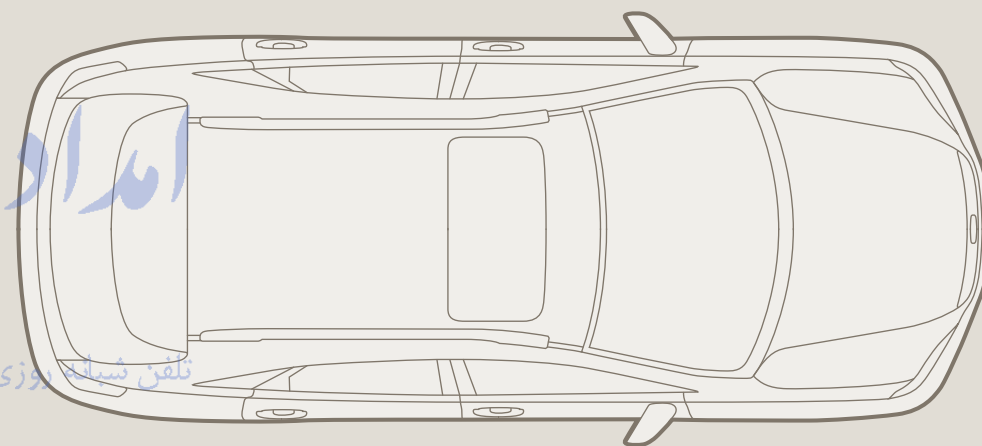
SPECS

تلفن شبانه روزی: ۰۲۱-۸۸۶۲۰۸۵

FarmaSOS.com



AN AUDIO SYSTEM AS
AWE-INSPIRING
AS IT IS CONVENIENT.



FarmasOS.com

The RX was thoughtfully designed to enable you to access and control your portable audio player through the vehicle's interface using an available USB port. Or, should you have a compatible *Bluetooth*[®] player,⁶ it can be accessed while remaining in your pocket or purse. And to ensure it's as flawless as it is functional, the available 15-speaker Mark Levinson[®] Premium Surround Sound Audio System¹⁵ uses 7.1-channel architecture to create a virtual sweet spot of sound that encompasses the entire interior.

Optional equipment shown.
See disclaimers on page 76.



AMENITIES
INNOVATION
PERFORMANCE
HYBRID
SAFETY
SPECS



REINVENTING PERFORMANCE.

PERFORMANCE
HANDLING
ALL-WHEEL DRIVE
TRACTION

امداد خودرو فارما
تلفن: ۰۲۱-۸۸۶۲۰۰۰۰
FarmaSOS.com

Exceptional agility and acceleration response. All the while providing low emissions and remarkable fuel economy. Proof that when it comes to performance technology, there's really only one way to handle curves: by staying ahead of them.

- AMENITIES
- INNOVATION
- PERFORMANCE
- HYBRID
- SAFETY
- SPECS

ADHERES TO THE ROAD.
NOT CONVENTIONS.



FarmaSOS.com

Optional equipment shown.

You don't design a vehicle around a driver and then ignore their right foot. Which is why you'll find the RX was designed with some of the most innovative—albeit unconventional—performance technology available. A uniquely designed double-wishbone rear suspension was created to improve rear road-handling grip. The undercarriage was crafted with wind channels for optimal aerodynamics. And the engine was paired with an intelligent six-speed automatic transmission and designed to deliver 90% of its torque at lower RPM for smoother acceleration and response.



AMENITIES

INNOVATION

PERFORMANCE

HYBRID

SAFETY

SPECS

WEATHER CAN CHANGE IN AN INSTANT.
SO WE DESIGNED AN ALL-WHEEL DRIVE SYSTEM
TO RESPOND EVEN FASTER.



تلفن شبانه روزی: ۰۲۱-۸۸۶۲۰۸۵

All-wheel drive or no all-wheel drive? Since Mother Nature can never seem to make up her mind, how's a driver to decide? With available Active Torque Control all-wheel drive, you don't. By monitoring a series of sensors, it powers the rear wheels only when needed and by the amount required. During normal on-road driving, for instance, the vehicle sends 100% of the power to the front wheels for optimal efficiency. Should you encounter a rogue patch of ice, the system will automatically allocate the necessary amount of power to the front and rear wheels to help maintain traction.

FarmaSOS.com



AMENITIES

INNOVATION

PERFORMANCE

HYBRID

SAFETY

SPECS

THE MOST TELLING
PERFORMANCE TIMES
ARE MEASURED IN
MILLISECONDS.

امداد خودرو فارما

تلفن شبانه روزی: ۰۲۱-۸۸۸۶۲۰۸۵

FarmaSOS.com



Utilizing a network of sensors that monitor everything from speed to steering to braking, the Vehicle Dynamics Integrated Management¹⁶ system available on the RX is designed to anticipate a loss of traction and take steps to help correct it before it occurs. All within a fraction of a second.

Optional equipment shown.
See disclaimers on page 76.

AMENITIES

INNOVATION

PERFORMANCE

HYBRID

SAFETY

SPECS

REINVENTING
POWER.



امداد خودرو فارما

۰۲۱-۸۸۷۱۳۰۶

FarmaSOS.com

HYBRID
INNOVATION
PERFORMANCE

AMENITIES

INNOVATION

PERFORMANCE

HYBRID

SAFETY

SPECS

When the first RX Hybrid was introduced, it made a statement: Of all the ways to begin shaping the future of the automobile, none was more important than simply beginning. Now, multiple generations of hybrid technology later, the original luxury hybrid is even further ahead of its time.



Optional equipment shown.

PROGRESS, PROGRESSED.

● MORE FUEL-EFFICIENT ENGINE

● EXHAUST
HEAT-RECOVERY SYSTEM

● ECO MODE

FarmaSOS.com



AMENITIES

INNOVATION

PERFORMANCE

HYBRID

SAFETY

SPECS

Optional equipment shown.

DRIVEN BY MULTIPLE SYSTEMS. POWERED BY ONE UNWAVERING PHILOSOPHY.

The current generation hybrid system on the RX 450h began with a challenge: Develop the most efficient RX Hybrid system to date without sacrificing an ounce of performance. Just a few of the systems that answered this challenge: a

gasoline engine that works differently from conventional engines to convert more of the energy generated during combustion into mechanical energy; a hybrid battery that is exceptionally light and compact; an Exhaust Gas

Recirculation system that captures, cools and reuses a portion of the exhaust gasses, reducing emissions and improving fuel efficiency; and an ECO Driving Indicator Zone Display that provides real-time feedback of economical driving practices.



امداد خودرو فارما

تلفن شبانه روزی: ۰۲۱-۸۸۸۶۲۰۸۵

FarmaSOS.com



Optional equipment shown.

AMENITIES

INNOVATION

PERFORMANCE

HYBRID

SAFETY

SPECS

RESPONSIBLE. AS WELL AS
RESPONSIVE.



تلفن شبانه روزی: ۰۲۱-۸۸۶۲۰۸۵
FarmaSOS.com

The RX 450h is the first hybrid vehicle to feature Intelligent Shift Control, an intelligent shifting system that can estimate whether you are traveling uphill or downhill and automatically select the appropriate gear ratio for better engine response. Enhancing performance even further, a sequential-shift mode enables you to upshift or downshift on the fly, helping to provide greater responsiveness and maneuverability coming out of corners.

Optional equipment shown.



AMENITIES

INNOVATION

PERFORMANCE

HYBRID

SAFETY

SPECS



امداد خودرو فارما

REINVENTING
PEACE OF MIND.

تلفن شبانه روزی: ۰۲۱-۲۳۰۸۵۰۰۰
FarmaSOS.com

The safest accident is the one that never happens. Which is why the RX offers a variety of innovative measures to help prevent one from occurring. Should an accident be unavoidable, we've helped plan for that, too. Two hundred and thirty-three crash tests were performed on the RX during development—leading to such passive safety measures as an overlapping pillar design that helps provide increased buckling strength and enhanced load sustainability when buckled.

Optional equipment shown.

SAFETY
VISIBILITY
ADVANCED FEATURES

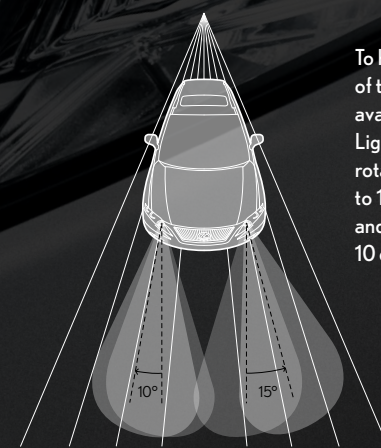
AMENITIES
INNOVATION
PERFORMANCE
HYBRID
SAFETY
SPECS

WE APPROACHED VISIBILITY
FROM A DIFFERENT ANGLE.



To help provide optimal visibility, we even figured out a way to improve the vision of other drivers on the road. In addition to the available Adaptive Front Lighting System (AFS),¹⁷ the RX offers available intelligent high-beam headlamps.¹⁸ If their sensors detect oncoming traffic or vehicles traveling closely ahead of you, they automatically switch from high beams to low beams. And, once traffic clears, they return to high-beam mode for greater visibility.

فارس و فارما
www.farmasoft.com



To help illuminate more of the road ahead, the available Adaptive Front Lighting System (AFS)¹⁷ can rotate the left headlamp up to 15 degrees in a left turn and the right headlamp up to 10 degrees in a right turn.

Optional equipment shown.
See disclaimers on page 76.

AMENITIES

INNOVATION

PERFORMANCE

HYBRID

SAFETY

SPECS

NUMEROUS SAFETY FEATURES
THAT INCLUDE IMPRESSIVE ADVANCEMENTS
IN INTUITION.



FarmaSOS.com

Call it a state-of-the-art inkling, if you will. Utilizing highly advanced radar technology, the available Pre-Collision System¹⁹ can sense an unavoidable frontal collision and automatically retract the front seatbelts while preparing Brake Assist²⁰ for increased braking pressure when the driver steps on the brake pedal. It's just one of the 20 Actively Safe features offered on the RX. Of course, if impact does occur, you can also take comfort in knowing that the RX features a host of passive safety measures as well. Like a class-leading 10-airbag system¹⁴ and active front headrests²¹ that can move diagonally upward and forward in the event of certain types of rear collisions to assist in supporting the head, thereby helping to reduce the severity of whiplash-type injuries.

Optional equipment shown.
See disclaimers on page 76.

AMENITIES

INNOVATION

PERFORMANCE

HYBRID

SAFETY

SPECS

WE'RE CREATING INNOVATIONS EVERY DAY.
STAY INFORMED OF THEM
EVERY MONTH.

امداد خودرو فارما

تلفن شماره روزی ۰۸۵-۸۸۸۶۲۰۸۵

FarmasOS.com



With so much innovative thinking at Lexus, it's hard to stay up-to-date. That's why we created the Lexus Pursuit newsletter. Each month, e-mail subscribers receive exclusive information about upcoming model launches and events, as well as the latest innovations and offers. Sign up today and stay informed of all things Lexus.

Optional equipment shown.

AMENITIES

INNOVATION

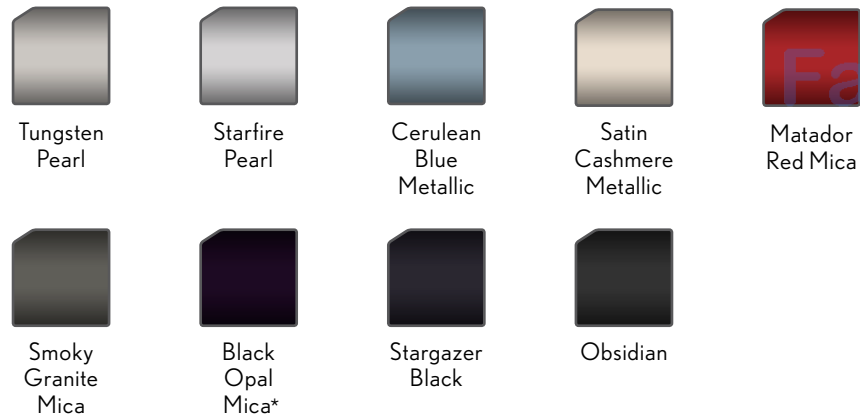
PERFORMANCE

HYBRID

SAFETY

SPECS

COLOR AND TRIM



INTERIOR COLORS AND WOOD TRIM



COLOR AVAILABILITY	Parchment Leather	Light Gray Leather	Black Leather	Light Gray Fabric
Tungsten Pearl		■	■	■
Starfire Pearl	■	■	■	■
Cerulean Blue Metallic	■	■	■	
Matador Red Mica	■		■	
Obsidian	■	■	■	
Smoky Granite Mica		■	■	
Espresso Bird's-eye Maple Wood Trim		■		■
Brown Walnut Wood Trim	■		■	

2010 model shown. *RX 450h only.

Fabric interior is standard. Leather-trimmed interior is available.

BODY AND DIMENSIONS

SHOULDER ROOM

front/rear
58.0/57.6 in (1,473/1,462 mm)

HIP ROOM

front/rear
55.6/54.5 in (1,412/1,385 mm)

HEADROOM

front/rear (w/o moonroof)
39.1/37.7 in (992/958 mm)

HEIGHT

66.3 in (1,685mm) (w/o roof rails RX 450h FWD)
67.7 in (1,720 mm) (w/roof rails)



WIDTH 74.2 in (1,885 mm)

CARGO CAPACITY 40.0 cu ft (1,132 L)¹ (behind rear seats)
80.3 cu ft (2,272 L)¹ (max)

FUEL-TANK CAPACITY 19.2 gal (72.5 L) (RX 350)
17.2 gal (65 L) (RX 450h)

LEG ROOM

front/rear
43.1/36.8 in (1,096/934 mm) (RX 350)
43.1/37.1 in (1,096/942mm) (RX 450h)



GROUND CLEARANCE
7.3 in (185 mm) (RX 350)
6.9 in (175mm) (RX 450h)

WHEELBASE 107.9 in (2,740 mm)

OVERALL LENGTH 187.8 in (4,770 mm)

WHEELS



18-in five-spoke alloy wheel²²
STANDARD RX 350 AND RX 450h



19-in seven-spoke alloy wheel²²
AVAILABLE RX 350

19-in seven-spoke Superchrome alloy wheel²²
AVAILABLE RX 350



19-in split-five-spoke alloy wheel²²
AVAILABLE RX 450h

FarmaSOS.com

See disclaimers on page76.

AMENITIES

INNOVATION

PERFORMANCE

HYBRID

SAFETY

SPECS

RX 350 SPECIFICATIONS

ENGINE

TYPE	60° V6, aluminum block and heads
DISPLACEMENT	3.5 liters (211 cubic inches)
VALVETRAIN	Four cam, four valves per cylinder, with dual Variable Valve Timing with intelligence (VVT-i)
COMPRESSION RATIO	10.8:1
HORSEPOWER AT RPM	275 hp @ 6,200 ²³
TORQUE AT RPM	257 lb-ft @ 4,700 ²³
EMISSION RATING	Certified Ultra-Low Emission Vehicle (ULEV II)

DRIVETRAIN

TRANSMISSION	Six-speed automatic Electronically Controlled Transmission with intelligence (ECT-i) with Sequential Shift and Snow modes
DRIVE WHEELS	Front-wheel drive (RX 350 FWD) Active Torque Control all-wheel drive (AWD) with variable torque split and manual-locking center differential (RX 350 AWD)

GENERAL

TYPE	Five-passenger luxury utility vehicle
CONSTRUCTION	Welded-steel unibody
CURB WEIGHT	4,178 lb (1,895 kg) (RX 350 FWD) 4,343 lb (1,970 kg) (RX 350 AWD)

PERFORMANCE

0-60 MPH ACCELERATION	7.4 seconds ^{23,24} (RX 350 FWD) 7.5 seconds ^{23,24} (RX 350 AWD)
1/4 MILE ACCELERATION	15.7 seconds ^{23,24} (RX 350 FWD) 15.7 seconds ^{23,24} (RX 350 AWD)
TOP TRACK SPEED	112 mph (electronically limited) ^{23,24}
EPA FUEL ECONOMY ESTIMATES	18/25 mpg (city/highway) ²⁵ (RX 350 FWD) 18/24 mpg (city/highway) ²⁵ (RX 350 AWD)
AERODYNAMIC DRAG COEFFICIENT	0.33
TURNING CIRCLE	38.8 ft (11.8m)
TOW CAPACITY	3,500 lb (1,588 kg) (with optional Towing Prep Package) ^{26,27}

CHASSIS

SUSPENSION	Front: Independent, MacPherson struts with inversely wound coil springs, gas-pressurized shock absorbers and stabilizer bar Rear: Independent, double-wishbone with coil springs, gas-pressurized shock absorbers and stabilizer bar
STEERING	Electronic Power Steering (EPS) system 2.79 turns lock-to-lock
BRAKES	Four-wheel power-assisted discs with four-sensor, four-channel Anti-lock Braking System (ABS), Electronic Brakeforce Distribution (EBD) and Brake Assist ²⁰ 12.9-in ventilated front, 12.2-in solid rear discs
WHEELS	18 x 7.5-in five-spoke alloy wheels with 235/60VR18 all-season tires ²²

ایراد خودرو فارما

تلفن: ۰۲۱-۸۸۶۲۰۸۵

FarmaSOS.com

RX 350 STANDARD LUXURY FEATURES

LUXURY AND CONVENIENCE

- SmartAccess^{28,29} with push-button Start/Stop and touch sensors on exterior front-door handles
- Dual-zone automatic climate control with interior air filter
- Power tilt-and-telescopic steering column
- Power windows with one-touch open/close feature
- Remote-linked opening for windows and available moonroof
- Power door locks
- Multifunction, in-key remote entry system with rolling-code technology²⁹
- Electrochromic (auto-dimming) inside rearview mirror
- Cruise control
- Sliding front center console with storage bin, dual power outlets and pass-through storage
- Front and rear cupholders
- HomeLink[®] universal transceiver to operate compatible garage, gate, home lighting and home security systems
- Lexus Personalized Settings (LPS)³⁰ to customize select electronic functions
- Illuminated entry system
- Accessory power outlet in front center stack, front console box and rear cargo area
- Dual illuminated visor vanity mirrors
- Extendable sun visors
- Roof rails^{31,32}
- Rear bumper protector

SEATING AND TRIM

- Espresso bird's-eye maple or brown walnut wood interior trim
- Leather-trimmed steering wheel and shift knob
- 10-way driver's and front passenger's (including lumbar) power seats
- Height-adjustable headrests for all seating positions
- Reclining, sliding rear seat (40/20/40-split)

COMMUNICATION, AUDIO AND NAVIGATION

- Lexus nine-speaker Premium Sound System with Automatic Sound Levelizer (ASL) and in-dash, single-feed, six-disc CD auto-changer
- Auxiliary iPod^{®33}/MP3/Windows Media[®] Audio (WMA) port
- XM Radio^{3,9} Subscription required. 90-day trial subscription included
- Bluetooth[®] technology²
- Bluetooth audio⁶ profile for wireless integration of compatible music players
- FM-diversity antenna system
- Shark-fin antenna

INSTRUMENTATION AND CONTROLS

- Steering-wheel-mounted audio and display controls
- Electroluminescent instrumentation
- Liquid Crystal Display (LCD) multi-information console display on upper console
- Organic Light-Emitting Diode (OLED) multi-information display in gauge cluster
- Outside temperature gauge
- Automatic on/off headlamps with auto-off delay
- Interior electronic fuel-filler door release

۰۲۱-۸۸۶۲۰۸۵

FarmaSOS.com

RX 350 STANDARD SAFETY AND SECURITY FEATURES

ACTIVE SAFETY

- Vehicle Stability Control (VSC)¹⁶ with cutoff switch
- Traction Control (TRAC)
- Four-wheel power-assisted disc brakes
- Four-sensor, four-channel Anti-lock Braking System (ABS)
- Brake Assist²⁰
- Electronic Brakeforce Distribution (EBD)
- Full-time all-wheel drive (RX 350 AWD)
- Direct Tire Pressure Monitor System³⁴
- Water-repellent front-door glass
- Daytime running lights
- Integrated foglamps
- LED taillamps
- Variable intermittent front windshield wipers
- Intermittent rear-window wiper with washer
- Rear-window defogger with auto-off timer
- Power-adjustable outside mirrors with integrated turn indicators and defoggers

PASSIVE SAFETY

- Driver's and front passenger's advanced airbag system (SRS) with front passenger's twin-chamber airbag (SRS)¹⁴
- Front and rear seat-mounted side airbags (SRS)¹⁴
- Driver's and front passenger's knee airbags (SRS)¹⁴
- Front and rear Roll-Sensing Curtain Airbags (RSCA) (SRS)¹⁴
- Active front headrests²¹
- Three-point seatbelts for all seating positions, pre-tensioners with force limiters for all seating positions
- Automatic Locking Retractor/Emergency Locking Retractor (ALR/ELR) seatbelts for all outboard seating positions. Emergency Locking Retractor (ELR) only for driver's seat
- Height-adjustable front shoulder belt anchors
- Child Restraint Seat (CRS) tether anchor brackets for rear outboard seating positions
- Highly rigid body structure with front and rear crumple zones
- Reinforcements in pillars and door sills
- Side-impact door beams
- Impact-dissipating upper interior trim
- Collapsible steering column
- Collapsible brake pedal

SECURITY

- Safety Connect^{TM10,12} offers Automatic Collision Notification, Stolen Vehicle Location, an Emergency Assistance Button (SOS) and Enhanced Roadside Assistance¹³ connectivity. Subscription required. One-year trial subscription included
- Vehicle theft-deterrent and engine-immobilizer system,²⁹ with in-key transponder
- Tonneau cover
- First aid kit
- Tool kit

البراد خودرو فارما

تلفن شبانه روزی: ۰۲۱-۸۸۶۲۰۸۵

FarmaSOS.com

RX 350 OPTION PACKAGES*

NAVIGATION SYSTEM

HDD Navigation System³ including Remote Touch device, voice command, high-resolution color LCD display with integrated wide-view backup camera⁷ and Enhanced Bluetooth[®] technology²

XM NavTraffic,^{®3,9} XM NavWeather^{™3,9} and XM Sports and Stocks.^{3,9} Subscription required. 90-day trial subscription included

Lexus Enform^{®10,11} offers Destination Assist and eDestination. Subscription required. One-year trial subscription included

REAR-SEAT ENTERTAINMENT SYSTEM (RSES) AND NAVIGATION SYSTEM PACKAGE

High-resolution LCD dual-screen DVD Rear-Seat Entertainment System (RSES)⁴

HDD Navigation System³ including Remote Touch device, voice command, high-resolution color LCD display with integrated wide-view backup camera⁷ and Enhanced Bluetooth technology²

XM NavTraffic,^{3,9} XM NavWeather^{3,9} and XM Sports and Stocks.^{3,9} Subscription required. 90-day subscription included

Lexus Enform^{10,11} offers Destination Assist and eDestination. Subscription required. One-year trial subscription included

Lexus 12-speaker Premium Sound Audio System

Wireless headphones⁵

Audio and video inputs

Two-prong 120V AC power outlet

PREMIUM PACKAGE

Leather-trimmed interior

Lexus Memory System to control power driver's seat (except lumbar), outside mirrors and steering wheel

Power tilt-and-slide moonroof with one-touch open/close and sliding sunshade

USB audio input for iPod^{®33}/compatible music player integration with audio system

Rear-armrest storage compartment with cover

Power rear door

Electrochromic (auto-dimming) outside mirrors

COMFORT PACKAGE

Heated and ventilated front seats

Bi-Xenon[™] High-Intensity Discharge (HID) headlamps with dynamic auto-leveling

Adaptive Front Lighting System (AFS)¹⁷ and intelligent high-beam headlamps¹⁸

Rain-sensing intermittent windshield wipers with mist cycle

Lexus 12-speaker audio system

LUXURY PACKAGE

Semi-aniline leather-trimmed interior

Lexus Memory System to control power driver's seat (except lumbar), outside mirrors and steering wheel

Wood- and leather-trimmed steering wheel and shift knob

Front-seat power cushion extenders

Power tilt-and-slide moonroof with one-touch open/close and sliding sunshade

USB audio input for iPod³³/compatible music player integration with audio system

Rear-armrest storage compartment with cover

LED-illuminated front door sills

Power rear door

Headlamp washers

Wide-view Side Monitor system⁸

Power-folding electrochromic (auto-dimming) outside mirrors

19 x 7.5-in seven-spoke alloy wheels with 235/55VR19 all-season tires²²

Smog-sensing automatic recirculation mode for climate-control system

*Please see page 76 for more information regarding options/accessories/packages.
See disclaimers on page 76.

SPORT PACKAGE

Vehicle Dynamics Integrated Management (VDIM)¹⁶ with cutoff switch

Sport-tuned suspension

19 x 7.5-in seven-spoke alloy wheels with Superchrome finish and 235/55VR19 all-season tires²²

TOWING PREP PACKAGE

Transmission cooler

Heavy-duty alternator

Heavy-duty radiator

OPTIONS*

19 x 7.5-in seven-spoke alloy wheels with 235/55VR19 all-season tires²²

Intuitive Parking Assist

Backup camera⁷ integrated into inside rearview mirror

Wood- and leather-trimmed steering wheel and shift knob

Heated and ventilated front seats

Mark Levinson[®] 15-speaker 330-watts @ 0.1% THD, 20-20,000 Hz³⁵ Premium Surround Sound Audio System¹⁵ with Automatic Sound Levelizer (ASL), 7.1 architecture and in-dash, single-feed, six-disc DVD/CD auto-changer

Lexus 12-speaker Premium Sound System with Automatic Sound Levelizer (ASL) and in-dash, single-feed, six-disc CD auto-changer

Two-prong 120V AC power outlet

Pre-Collision System (PCS)¹⁹ and Dynamic Radar Cruise Control³⁶

Heads-up Display

Bi-Xenon[™] High-Intensity Discharge (HID) headlamps with Adaptive Front Lighting System (AFS)¹⁷



*Please see page 76 for more information regarding options/accessories/packages.
See disclaimers on page 76.

Optional equipment shown.

RX 450h SPECIFICATIONS

ENGINE

TYPE	Atkinson Cycle 60° V6, aluminum block and heads
DISPLACEMENT	3.5 liters (211 cubic inches)
VALVETRAIN	Four cam, four valves per cylinder, with dual Variable Valve Timing with intelligence (VVT-i)
COMPRESSION RATIO	12.5:1
ELECTRIC-DRIVE MOTORS	Front high-output, permanent-magnet, electric-drive motor
TOTAL SYSTEM HORSEPOWER	295 hp ²³
EMISSION RATING	Certified Super Ultra-Low Emission Vehicle (SULEV II)

DRIVETRAIN

TRANSMISSION	Electronically Controlled continuously Variable Transmission (ECVT-i) with Sequential Shift and Snow modes
DRIVE WHEELS	Front-wheel drive (RX 450h FWD) Part-time all-wheel drive (AWD) ³⁷ with rear electric-drive motor

GENERAL

TYPE	Five-passenger hybrid luxury utility vehicle
CONSTRUCTION	Welded-steel unibody
CURB WEIGHT	4,520 lb (2,050 kg) (RX 450h FWD) 4,652 lb (2,110 kg) (RX 450h AWD)

PERFORMANCE

0-60 MPH ACCELERATION	7.8 seconds ^{23,24} (RX 450h FWD) 7.4 seconds ^{23,24,37} (RX 450h AWD)
1/4 MILE ACCELERATION	16.0 seconds ^{23,24} (RX 450h FWD) 15.6 seconds ^{23,24,37} (RX 450h AWD)
TOP TRACK SPEED	112 mph (electronically limited) ^{23,24}
EPA FUEL ECONOMY ESTIMATES	32/28 mpg (city/highway) ²⁵ (RX 450h FWD) 30/28 mpg (city/highway) ^{25,37} (RX 450h AWD)
AERODYNAMIC DRAG COEFFICIENT	0.33
TURNING CIRCLE	38.8 ft (11.8m)
TOW CAPACITY	3,500 lb (1,588 kg) (with optional Towing Prep Package) ^{26,27} (RX 450h AWD)

CHASSIS

SUSPENSION	Front: Independent, MacPherson struts with inversely wound coil springs, gas-pressurized shock absorbers and stabilizer bar Rear: Independent double-wishbone with coil springs, gas-pressurized shock absorbers and stabilizer bar
STEERING	Electronic Power Steering (EPS) system
BRAKES	Four-wheel power-assisted discs with Electronic Controlled Braking (ECB), four-sensor, four-channel Anti-lock Braking System (ABS), Electronic Brakeforce Distribution (EBD) and Brake Assist ²⁰ and regenerative function
WHEELS	12.8-in ventilated front, 12.2-in solid rear discs 18 x 7.5-in five-spoke alloy wheels with 235/60VR18 all-season tires ²²

انداز خودرو فارما

تلفن: ۰۲۱-۸۸۶۲۰۸۵

FarmaSOS.com

RX 450h STANDARD LUXURY FEATURES

LUXURY AND CONVENIENCE

SmartAccess^{28,29} with power button and touch sensors on exterior front-door handles

Dual-zone automatic climate control with interior air filter

Power tilt-and-telescopic steering column

Power windows with one-touch open/close feature

Remote-linked opening for windows and available moonroof

Power door locks

Multifunction, in-key remote entry system with rolling-code technology²⁹

Electrochromic (auto-dimming) inside rearview mirror

Cruise control

Sliding front center console with storage bin, dual power outlets and pass-through storage

Front and rear cupholders

HomeLink[®] universal transceiver to operate compatible garage, gate, home lighting and home security systems

Lexus Personalized Settings (LPS)³⁰ to customize select electronic functions

Illuminated entry system

Accessory power outlet in front center stack, front console box and rear cargo area

Dual illuminated visor vanity mirrors

Extendable sun visors

Roof rails^{31,32} (AWD only)

Rear bumper protector

SEATING AND TRIM

Espresso bird's-eye maple or brown walnut wood interior trim

Leather-trimmed steering wheel and shift knob

10-way driver's and front passenger's (including lumbar) power seats

Height-adjustable headrests for all seating positions

Reclining, sliding rear seat (40/20/40-split)

COMMUNICATION, AUDIO AND NAVIGATION

Lexus nine-speaker Premium Sound System with Automatic Sound Levelizer (ASL) and in-dash, single-feed, six-disc CD auto-changer

Auxiliary iPod^{®33}/MP3/Windows Media[®] Audio (WMA) port

XM Radio^{3,9} Subscription required. 90-day trial subscription included

Bluetooth[®] technology²

Bluetooth audio⁶ profile for wireless integration of compatible music players

FM-diversity antenna system

Shark-fin antenna

INSTRUMENTATION AND CONTROLS

Steering-wheel-mounted audio and display controls

Electroluminescent instrumentation

Liquid Crystal Display (LCD) multi-information console display on upper console

Organic Light-Emitting Diode (OLED) multi-information display in gauge cluster

Outside temperature gauge

Automatic on/off headlamps with auto-off delay

Interior electronic fuel-filler door release

۰۲۱-۸۸۶۲۰۸۵

FarmaSOS.com

RX 450h STANDARD SAFETY AND SECURITY FEATURES

ACTIVE SAFETY

Vehicle Dynamics Integrated Management (VDIM)¹⁶ with cutoff switch
Vehicle Stability Control (VSC)¹⁶
Traction Control (TRAC)
Four-wheel power-assisted disc brakes
Electronic Controlled Braking (ECB) with regenerative function
Four-sensor, four-channel Anti-lock Braking System (ABS)
Smart stop technology³⁸
Brake Assist²⁰
Electronic Brakeforce Distribution (EBD)
Part-time all-wheel drive (AWD)³⁷
Direct Tire Pressure Monitor System³⁴
Water-repellent front-door glass
Daytime running lights
Integrated foglamps
LED taillamps
Variable intermittent front windshield wipers
Intermittent rear-window wiper with washer
Rear-window defogger with auto-off timer
Power-adjustable outside mirrors with integrated turn indicators and defoggers

PASSIVE SAFETY

Driver's and front passenger's advanced airbag system (SRS) with front passenger's twin-chamber airbag (SRS)¹⁴
Front and rear seat-mounted side airbags (SRS)¹⁴
Driver's and front passenger's knee airbags (SRS)¹⁴
Front and rear Roll-Sensing Curtain Airbags (RSCA) (SRS)¹⁴
Active front headrests²¹
Collapsible steering column
Three-point seatbelts for all seating positions, pre-tensioners with force limiters for all seating positions
Automatic Locking Retractor/Emergency Locking Retractor (ALR/ELR) seatbelts for all outboard seating positions. Emergency Locking Retractor (ELR) only for driver's seat
Height-adjustable front shoulder belt anchors
Child Restraint Seat (CRS) tether anchor brackets for rear outboard seating positions
Highly rigid body structure with front and rear crumple zones
Reinforcements in pillars and door sills
Side-impact door beams
Impact-dissipating upper interior trim
Collapsible steering column
Collapsible brake pedal

SECURITY

Safety Connect^{TM10,12} offers Automatic Collision Notification, Stolen Vehicle Location, an Emergency Assistance Button (SOS) and Enhanced Roadside Assistance¹³ connectivity. Subscription required. One-year trial subscription included
Vehicle theft-deterrent and engine-immobilizer system,²⁹ with in-key transponder
Tonneau cover
First aid kit
Tool kit

البرازيل خودرو فارما

تلفن شبانه روزی: ۰۲۱-۸۸۶۲۰۸۵

FarmaSOS.com

RX 450h OPTION PACKAGES*

NAVIGATION SYSTEM

HDD Navigation System³ including Remote Touch device, voice command, high-resolution color LCD display with integrated wide-view backup camera⁷ and Enhanced Bluetooth[®] technology²

XM NavTraffic,^{®3,9} XM NavWeather^{™3,9} and XM Sports and Stocks.^{3,9} Subscription required. 90-day trial subscription included

Lexus Enform^{®10,11} offers Destination Assist and eDestination. Subscription required. One-year trial subscription included

REAR-SEAT ENTERTAINMENT SYSTEM (RSES) AND NAVIGATION SYSTEM PACKAGE

High-resolution LCD dual-screen DVD Rear-Seat Entertainment System (RSES)⁴

HDD Navigation System³ including Remote Touch device, voice command, high-resolution color LCD display with integrated wide-view backup camera⁷ and Enhanced Bluetooth technology²

XM NavTraffic,^{3,9} XM NavWeather^{3,9} and XM Sports and Stocks.^{3,9} Subscription required. 90-day trial subscription included

Lexus Enform^{10,11} offers Destination Assist and eDestination. Subscription required. One-year trial subscription included

Lexus 12-speaker Premium Sound Audio System

Wireless headphones⁵

Audio and video inputs

Two-prong 120V AC power outlet

PREMIUM PACKAGE

Leather-trimmed interior

Lexus Memory System to control power driver's seat (except lumbar), outside mirrors and steering wheel

Power tilt-and-slide moonroof with one-touch open/close and sliding sunshade

USB audio input for iPod^{®33}/compatible music player integration with audio system

Rear-armrest storage compartment with cover

Power rear door

Electrochromic (auto-dimming) outside mirrors

COMFORT PACKAGE

Heated and ventilated front seats

Rain-sensing intermittent windshield wipers with mist cycle

Lexus 12-speaker audio system

LUXURY PACKAGE

Semi-aniline leather-trimmed interior

Lexus Memory System to control power driver's seat (except lumbar), outside mirrors and steering wheel

◆ Wood- and leather-trimmed steering wheel and shift knob

Front-seat power cushion extenders

Power tilt-and-slide moonroof with one-touch open/close and sliding sunshade

USB audio input for iPod³³/compatible music player integration with audio system

Rear-armrest storage compartment with cover

LED-illuminated front door sills

Power rear door

Wide-view Side Monitor system⁸

Power-folding electrochromic (auto-dimming) outside mirrors

19 x 7.5-in split-five-spoke alloy wheels with 235/55VR19 all-season tires²²

Smog-sensing automatic recirculation mode for climate-control system

FarmaSOS.com

*Please see page 76 for more information regarding options/accessories/packages.
See disclaimers on page 76.

TOWING PREP PACKAGE (RX 450h AWD)

Transmission cooler
Heavy-duty alternator
Heavy-duty radiator

OPTIONS*

19 x 7.5-in split-five-spoke alloy wheels with 235/55VR19 all-season tires²²

Intuitive Parking Assist

Backup camera⁷ integrated into inside rearview mirror

Wood- and leather-trimmed steering wheel and shift knob

Heated and ventilated front seats

Mark Levinson[®] 15-speaker 330-watts @ 0.1% THD, 20–20,000 Hz³⁵ Premium Surround Sound Audio System¹⁵ with Automatic Sound Levelizer (ASL), 7.1 architecture and in-dash, single-feed, six-disc DVD/CD auto-changer

Lexus 12-speaker Premium Sound System with Automatic Sound Levelizer (ASL) and in-dash, single-feed, six-disc CD auto-changer

Pre-Collision System (PCS)¹⁹ and Dynamic Radar Cruise Control³⁶

Heads-up Display

Light Emitting Diode (LED) headlamps with Adaptive Front Lighting System (AFS),¹⁷ intelligent high-beam headlamps¹⁸ and headlamp washers

Bi-Xenon™ High-Intensity Discharge (HID) headlamps with Adaptive Front Lighting System (AFS)¹⁷

امداد خودرو فارس

تلفن شبانه روزی: ۰۲۱-۸۸۶۲۰۸۵

ParmaSOS.com



AMENITIES

INNOVATION

PERFORMANCE

HYBRID

SAFETY

SPECS

*Please see page 76 for more information regarding options/accessories/packages.
See disclaimers on page 76.

Optional equipment shown.

ACCESSORIES*



1. Mudguards
2. All-weather cargo mat
3. Ashtray
4. Cargo net – spider
5. Cargo net – envelope
6. Carpet cargo mat
7. Car cover
8. Body side moldings
9. Wheel locks
10. Towing equipment^{26,27} – tow hitch
11. Remote engine starter²⁹
12. Lexus Hybrid Drive window sticker (RX 450h)
13. First aid kit
14. Towing equipment^{26,27} – trailer ball and ball mount
15. Paint protection film³⁹
16. Premium carpet floor mats⁴⁰
17. Roof rack cross bars⁴¹
18. Wireless headphones⁵
19. Glass breakage sensor – detects the sound of breaking glass and immediately activates your vehicle's factory theft-deterrent system.



AMENITIES

INNOVATION

PERFORMANCE

HYBRID

SAFETY

SPECS

*Please see page 76 for more information regarding options/accessories/packages.
See disclaimers on page 76.

WARRANTY

Four-year/50,000-mile Lexus Limited Warranty. Six-year/70,000-mile Powertrain Warranty. Six-year/unlimited-mileage Corrosion Perforation Warranty. All warranties with zero deductible. See the RX and RXh *Warranty and Services Guide* at your Lexus dealer for details.

1. Cargo and load capacity limited by weight and distribution. **2.** Bluetooth® technology phones listed on lexus.com have been tested for compatibility with Lexus vehicles. Performance will vary based on phone software version, coverage and your wireless carrier. Phones are warranted by their manufacturer, not Lexus. **3.** Availability and accuracy of the information provided by the Navigation System or any XM services mentioned (if installed) are dependent upon many factors. Use common sense when relying on information provided. Services not available in every city or roadway. Periodic Navigation updates available at additional cost. Please see your *Navigation System Owner's Manual* or contact XM for details. **4.** A single feed, six-disc DVD changer is standard on vehicles equipped with the dual-screen Rear-Seat Entertainment System. A separate DVD player or game system utilizing the center console's video/audio inputs is required in order to use the split-screen function. **5.** Headphones are for passenger use only. Do not use while operating vehicle. **6.** Bluetooth audio device must be enabled with A2DP and AVRCP. **7.** The backup camera does not provide a comprehensive view of the rear area of the vehicle. You should also look around outside your vehicle and use your mirrors to confirm rearward clearance. Cold weather may limit effectiveness and view may become cloudy. **8.** The Wide-view Side Monitor system does not provide a comprehensive view of the front passenger-side area of the vehicle. You should also look around outside your vehicle and use your mirrors to confirm clearance. Cold weather will limit effectiveness and view may become cloudy. **9.** XM services require a subscription after trial period. Subscriptions governed by XM Customer Agreement available at xmradio.com. **If you decide to continue your XM service at the end of your complimentary trial, the plan you choose will automatically renew and bill at then-current rates unless you call 1-800-967-2346 to cancel.** Fees and programming subject to change. Available only to those at least 18 years of age in the 48 contiguous United States and DC. **10.** Lexus Enform® and Safety Connect™ are available. Contact with the Lexus Enform and/or Safety Connect response center is dependent upon the telematics device being in operative condition, cellular connection availability, navigation map data and GPS satellite signal reception, which can limit the ability to reach the response center or receive emergency support. Enrollment and Telematics Subscription Service Agreement required. **11.** Lexus Enform premium services Destination Assist and eDestination will function in the contiguous United States and Washington, DC. These services may also function in Hawaii and limited areas of Alaska for vehicles that contain map data for those states. They will not function in Canada or in other countries outside the United States. **12.** The Safety Connect™ services Automatic Collision Notification, Emergency Assistance and Stolen Vehicle Location will function in the United States, including Hawaii and Alaska, and in Canada. Enhanced Roadside Assistance will function in the United States (except for Hawaii) and in Canada. No Safety Connect services will function outside of the United States in countries other than Canada. **13.** Coverage only available in the continental U.S. and Canada. Please see your Lexus dealer for details. **14.** All the airbag (AB) systems are Supplemental Restraint Systems. All ABs (if installed) are designed to inflate only under certain conditions and in certain types of severe collisions: frontal and knee ABs typically inflate in frontal collisions; side and side curtain ABs in side collisions; Roll-Sensing Curtain ABs at a severe tilt degree, roll or lateral G-force. In all other accidents, the ABs will not inflate. To decrease the risk of injury from an inflating AB, always wear seatbelts, sit upright in the middle of the seat as far back as possible and do not lean against the door. Do not put objects in front of an AB or around the seatback. Do not use a rearward-facing child seat in any front passenger seat. The force of an inflating AB may cause serious injury or death. Please see your *Owner's Manual* for further information/warnings. **15.** Mark Levinson® is a registered trademark of Harman International Industries, Inc. **16.** Vehicle Stability Control (VSC) and Vehicle Dynamics Integrated Management (VDIM) are electronic systems designed to help the driver maintain control under adverse conditions. They are not substitutes for safe driving practices. Factors including speed, road conditions and driver steering input can all affect whether VSC and VDIM will be effective in preventing a loss of control. Please see your *Owner's Manual* for further details. **17.** The Adaptive Front Lighting System can help improve vision at night. However, conditions such as a dirty windshield, rapidly changing light conditions or hilly terrain will limit effectiveness so the driver may need to manually change the high beams from on to off. Please see your *Owner's Manual* for details. **18.** The intelligent high-beam headlamps can help improve vision at night. However, conditions such as a dirty windshield, rapidly changing light conditions or hilly terrain will limit effectiveness so the driver may need to manually change the high beams from on to off. Please see your *Owner's Manual* for details. **19.** The Pre-Collision System is designed to help reduce the crash speed and damage in certain frontal collisions only. It is not a collision-avoidance system and is not a substitute for safe and attentive driving. System effectiveness depends on many factors, such as speed, driver input and road conditions. Please see your *Owner's Manual* for further information. **20.** Brake Assist is designed to help the driver take full advantage of the benefits of ABS. It is not a substitute for safe driving practices. Braking effectiveness also depends on proper brake-system maintenance and tire and road conditions. **21.** Active headrests can help reduce the extent of whiplash in certain types of rear-end collisions. **22.** 18- or 19-in performance tires are expected to experience greater tire wear than conventional tires. Tire life may be substantially less than 15,000 miles, depending upon driving conditions. **23.** Ratings achieved using the required premium unleaded gasoline with an octane rating of 91 or higher. If premium fuel is not used, performance will decrease. **24.** Performance figures are for comparison only and were obtained with prototype vehicles by professional drivers using special safety equipment and procedures. Do not attempt. **25.** EPA MPG Estimates. Actual mileage will vary. **26.** Before towing, confirm your vehicle and trailer are compatible, hooked up and loaded properly and that you have any necessary additional equipment. Do not exceed any Weight Ratings and follow all instructions in your *Owner's Manual*. The maximum you can tow depends on the total weight of any cargo, occupants and available equipment. **27.** Please consult your Lexus dealer or *Owner's Manual* for towing and load specifications. **28.** The SmartAccess system may interfere with some pacemakers or cardiac defibrillators. If you have one of these medical devices, please talk to your doctor to see if you should deactivate this system. **29.** The engine immobilizer is a state-of-the-art anti-theft system. When you insert your key into the ignition switch or bring a SmartAccess fob into the vehicle, the key transmits an electronic code to the vehicle. The engine will only start if the code in the transponder chip inside the key or SmartAccess fob matches the code in the vehicle's immobilizer. Because the transponder chip is embedded in the key or SmartAccess fob, it can be costly to replace. If you lose a key or SmartAccess fob, your Lexus dealer can help. Alternatively, you can find a qualified independent locksmith to perform high-security key services by consulting your local *Yellow Pages* or by contacting www.aloa.org. **30.** The Lexus Personalized Settings (LPS) can be programmed in two ways: For most models equipped with the available Navigation System, the driver can modify the settings themselves; for other models, including those without a Navigation System, programming is done by your Lexus dealer via a one-time, complimentary offer during the first 12 months from the date the vehicle is sold. Please see your Lexus dealer for more information. **31.** Accessory roof rack with rails not recommended for luggage. **32.** Roof rack capacity is 130 lb. Please see *Owner's Manual* for details. **33.** iPod® is a registered trademark of Apple Inc. All rights reserved. **34.** The Tire Pressure Monitor System alerts the driver when tire pressure is critically low. For optimal tire wear and performance, tire pressure should be checked regularly with a gauge; do not rely solely on the monitor system. Please see your *Owner's Manual* for details. **35.** Continuous average power, all channels driven, at less than 0.1% THD, 20–20,000 Hz. **36.** Dynamic Radar Cruise Control is designed to assist the driver and is not a substitute for safe and attentive driving practices. Please see your *Owner's Manual* for important instructions and cautions. **37.** The RX 450h is not designed to be driven off-road. **38.** Smart Stop Technology operates only in the event of certain simultaneous brake and gas pedal applications. When engaged, the system will reduce engine power to help the brakes bring the vehicle to a stop. Factors including speed, road conditions and driver input can all impact stopping distance. Smart Stop Technology is not a substitute for safe and attentive driving and does not guarantee instant stopping. Please see your *Owner's Manual* for further details. **39.** Currently only available pre-installed on select vehicles. Ask your Dealer Sales Consultant for vehicle application. **40.** To avoid interference with pedal operation, do not install a floor mat on top of an existing floor mat, and each mat must be secured with retention hooks (clips). This floor mat was designed specifically for use in this model and model year vehicle and SHOULD NOT be used in any other vehicle. **41.** Roof rack with cross bars is not recommended for luggage.

*Lexus strives to build vehicles to match customer interest, and thus they typically are built with popular options and option packages. Not all options/packages are available separately, and some may not be available in all regions of the country. See lexus.com for information about options/packages commonly available in your area. If you would prefer a vehicle without any or with different options, contact your dealer to check for current availability or the possibility of placing a special order. Specifications, features, equipment, technical data, performance figures, options, and color and trim are based upon information available at time of printing, are subject to change without notice, are for mainland U.S.A. vehicles only. Some vehicles shown with available equipment. See your Lexus dealer for details. Lexus reminds you to wear seatbelts, secure children in rear seat, obey all traffic laws and drive responsibly. For more information, call 800-USA-LEXUS (872-5398) or visit lexus.com. To learn more about your financing options, contact your Lexus dealer or call Lexus Financial Services at 800-874-7050.



AMENITIES

INNOVATION

PERFORMANCE

HYBRID

SAFETY

SPECS

Optional equipment shown.